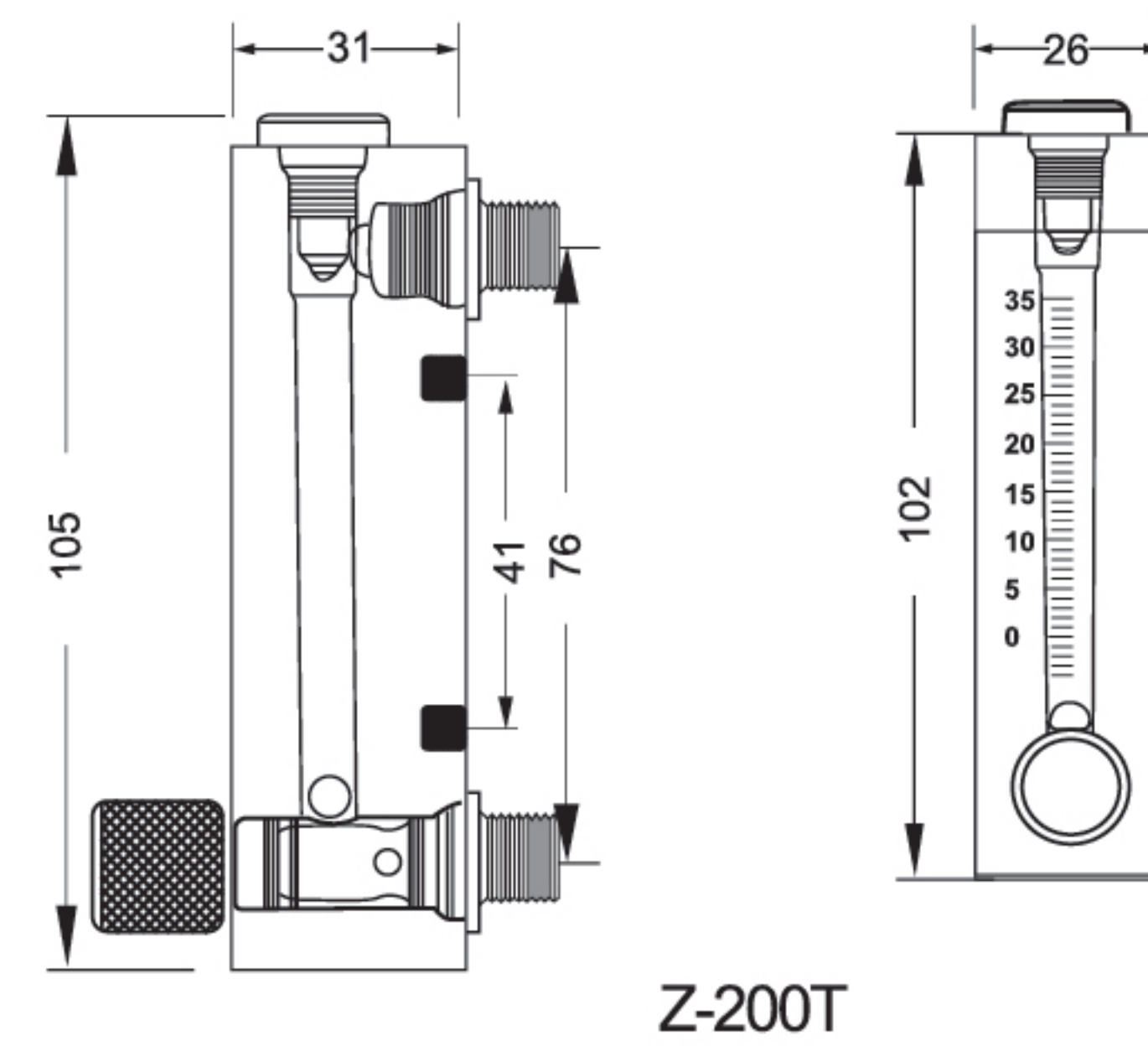
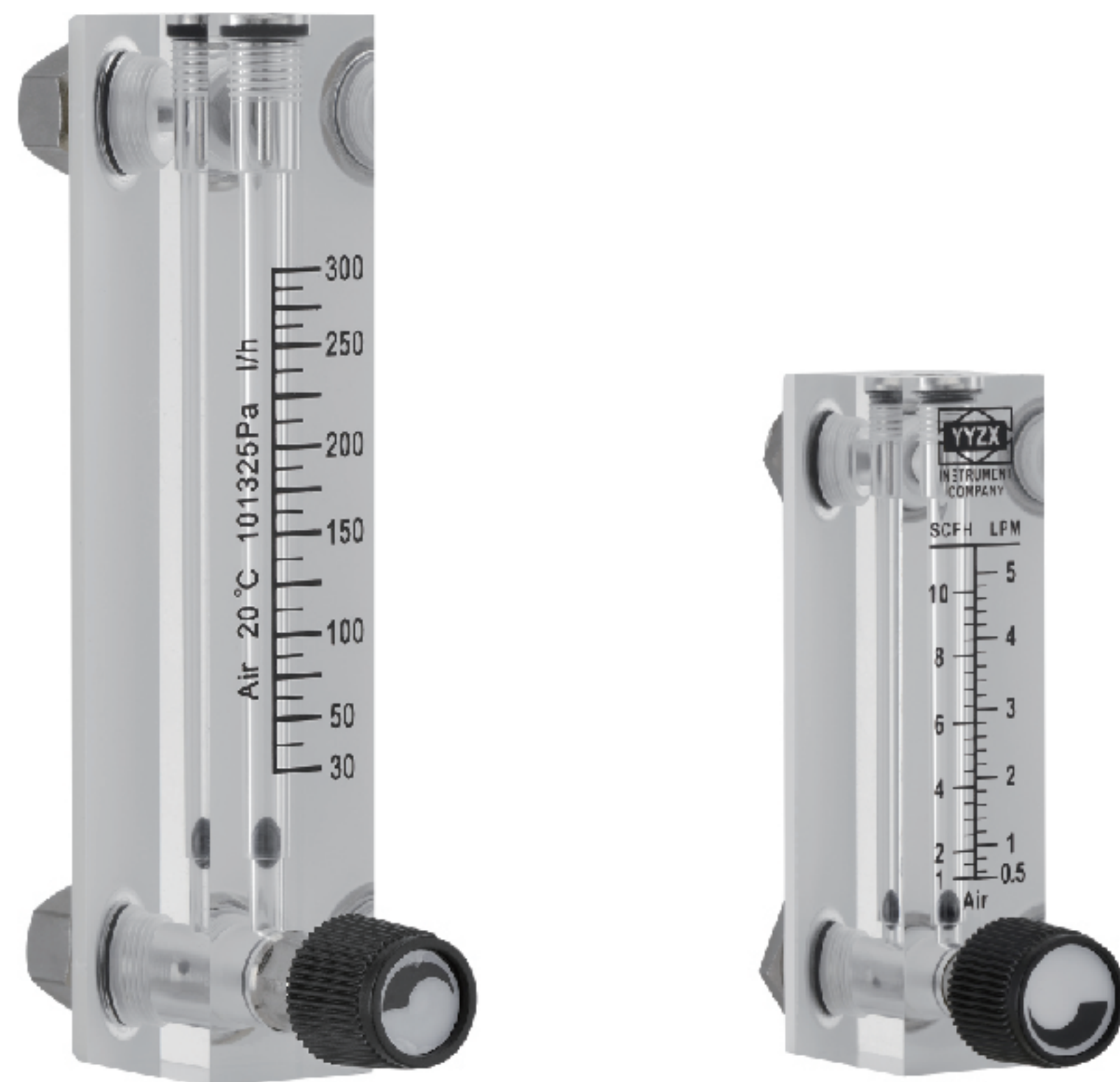


# The Series Z-200/Z-200T Acrylic Flowmeter

Solid acrylic block production, sturdy and durable



Z-200T

The Series Z-200/Z-200T Acrylic Flowmeter is a variable area flowmeter whose measuring tubes are made of a solid acrylic block. As fluid passes through the pipe, the float suspends itself under the influence of fluid dynamics and gravity. The greater the fluid flow, the higher the float rises, allowing direct reading of the flow value from its position. With high transparency, impact resistance, and excellent chemical compatibility, this acrylic flowmeter becomes a preferred tool for laboratories, food & pharmaceutical industries, and measurement of corrosive media with small to medium flow rates. Its lightweight design, low cost, and ease of observation give it significant advantages in all applications.

## FEATURES

- The rotor floats with the fluid, no mechanical wear, low maintenance costs, and a long service life.
- Lightweight and cost-effective, it provides an economical flow measurement solution.
- Installed vertically without requiring straight pipe sections.
- The transparent pipe allows for direct observation of the fluid status and rotor position, facilitating easy reading.

## APPLICATIONS

- Pharmaceutical Industry
- Semiconductor Industry
- Food and Beverage Industry
- Urban Water Supply and Drainage
- Environmental Protection
- New Energy Industry
- Scientific research institution

## SPECIFICATIONS

<b>Service</b>	Compatible liquids or Gases
<b>Material</b>	Body: Acrylic; O-ring: Silicone Rubber; Connection: Brass, optional 304 Stainless Steel
<b>Accuracy</b>	±5%
<b>Temperature Rating</b>	0°C to 55°C
<b>Pressure Rating</b>	Less than 0.6MPa
<b>Connection</b>	1/4" BSPT female thread

## MODEL CHART

Model	For liquid:	For gas:
Z-2001-6M1	2L/h - 20L/h, without valve	
Z-2001-6M2	4L/h - 40L/h, without valve	
Z-2001-6M3	6L/h - 60L/h, without valve	
Z-2001-6M4	10L/h - 100L/h, without valve	
Z-2001-6T1	2L/h - 20L/h, with valve	
Z-2001-6T2	4L/h - 40L/h, with valve	
Z-2001-6T3	5L/h - 50L/h, with valve	
Z-2001-6T4	6L/h - 60L/h, with valve	
Z-2001-6T5	10L/h - 100L/h, with valve	
Z-2002-6T1		For gas: 60ml/min - 600ml/min, with valve
Z-2002-6T2		For gas: 0.1LPM - 1LPM, with valve
Z-2002-6T3		For gas: 0.2LPM - 2LPM, with valve
Z-2002-6T4		For gas: 1SCFH - 10SCFH/0.5LPM - 5LPM, with valve
Z-2002-6T5		For gas: 2SCFH - 20SCFH/1LPM - 10LPM, with valve
Z-2002-6T6		For gas: 4SCFH - 40SCFH/2LPM - 20LPM, with valve
Z-2002-6T7		For gas: 8SCFH - 80SCFH/4LPM - 40LPM, with valve
Z-2002-6T8		For gas: 10SCFH - 100SCFH/5LPM - 50LPM, with valve
Z-2002-6T9		For gas: 20SCFH - 200SCFH/10LPM - 100LPM, with valve